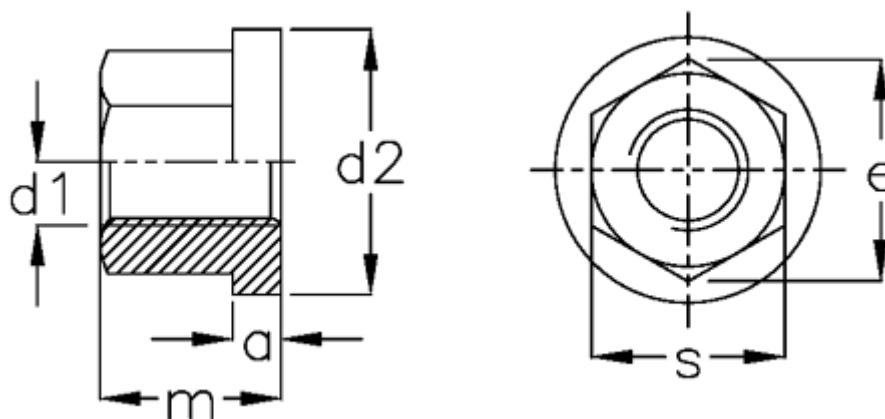


Article number: 20818512

Description: E+G Collar nut
DIN 6331-M12

Measures



$a = 4.0$
 $d1 = M12$
 $d2 = 25$
 $e = 20.5$
 $m = 18$
 $s = 18$